

PRODUCT NUMBER  
90309-XXXXLF

- PLATING
- 0 = 0.20µm GOLD/GXT ON CONTACT AREA  
3.81 TIN LEAD ON TAIL
  - 1 = 0.76µm GOLD/GXT ON CONTACT AREA  
3.81 TIN LEAD ON TAIL
  - 3 = 0.38µm GOLD/GXT ON CONTACT AREA  
3.81 TIN LEAD ON TAIL
  - 5 = 0.38µm GXT FULL PLATED
  - 6 = 0.76µm GXT FULL PLATED
  - 7 = 0.76µm GOLD/GXT FULL PLATED
  - 9 = 0.20µm GOLD/GXT FULL PLATED

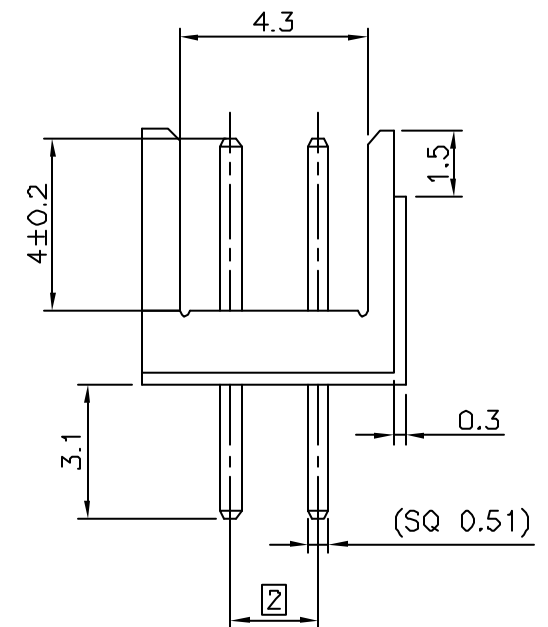
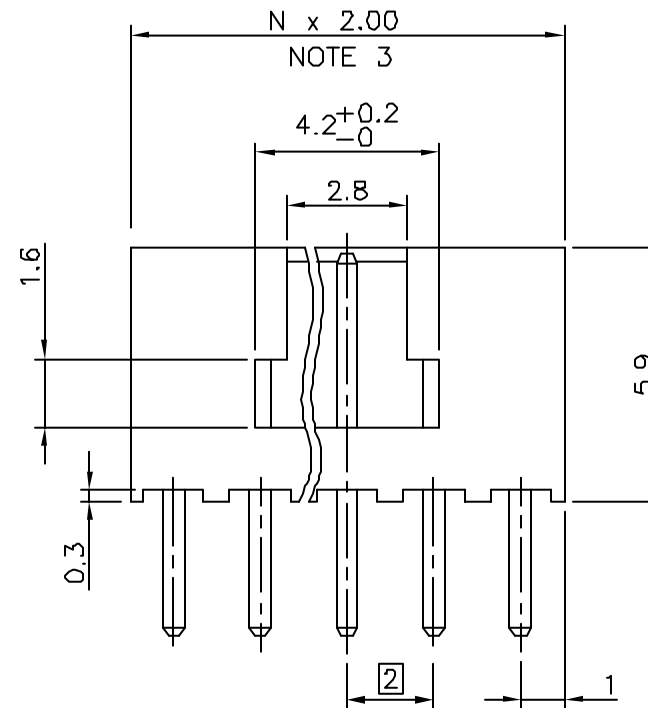
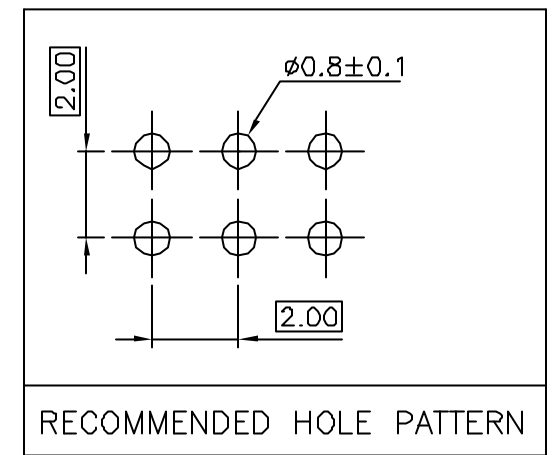
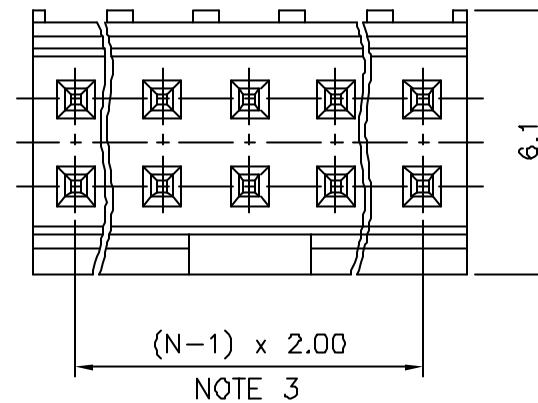
WHEN REQUIRED, ADD SUFFIX LETTER "LF"  
INDICATES THE PRODUCT IS RoHS  
COMPATIBLE, SEE NOTE 6 & 7

PACKAGING, SEE NOTE 5  
TOTAL NB OF POSITIONS, 08 TO 34

UNDERPLATING 1.27µm Ni MIN  
WHEN "LF" IS REQUIRED, 2µm MATTE TIN OVER 1.27µm Ni MIN  
IS PROVIDED INSTEAD OF TIN LEAD, ONLY FOR PLATING 1, 3, 5

NOTES:

1. MATERIAL HOUSING: HIGH TEMP. THERMOPLASTIC  
UL 94V-0, COLOR CREAM
2. MATERIAL TERMINAL: COPPER ALLOY
3. TO DETERMINE DIMENSIONS:  
N = NUMBER OF POSITIONS PER ROW
4. 7N MIN. PIN RETENTION IN EITHER DIRECTION.
5. PACKAGING: = POLYBAGS  
T = TUBE
6. 95609-5XXXXLF IS SIMILAR TO 95609-5XXX  
95609-6XXXXLF IS SIMILAR TO 95609-6XXX  
THE SUFFIX "LF" IS ADDED FOR EASY LEAD FREE IDENTIFICATION
7. RoHS COMPATIBLE PRODUCT SPECIFICATIONS
  - a - PLATING:
    - "LF" MEANS THE PRODUCT IS LEAD-FREE,  
2µm MINIMUM MATTE TIN OVER 1.27µm  
MINIMUM NICKEL UNDERPLATE.
  - b - MANUFACTURING PROCESS COMPATIBILITY
    - THE HOUSING WILL WITHSTAND EXPOSURE TO  
260°C ±5°C SOLDER BATH TEMPERATURE FOR  
5 SECONDS IN A WAVE SOLDER APPLICATION  
WITH A 1.6mm MIN THICK CIRCUIT BOARD.
  - c - LABELLING:
    - MEETS PACKAGING SPECS AS PER GS-14-920
  - d - THIS PRODUCT MEETS EUROPEAN DIRECTIVES  
AND OTHER COUNTRY REGULATIONS AS DISCRIBED  
IN GS-22-008.



mat'l. code				surface		tolerance		projection		product family	
SEE NOTES				ISO 1302		ISO 406 ISO 1101		mm		MINITEK HEADER	
Ltr	ecn no	dr	date	tolerances unless otherwise specified						title	
S	F05-0128	LMU	05.02.21	angles	.X	±0.3				SHR HEADER	
T	F06-0210	LMU	06.07.04	linear	.XX	±0.13				2.00mm TMT DR	
U	F07-0191	JCO	07.09.05	±2'	.XXX	±0.05		scale 7:1		dwg no	
V	F08-0145	ELA	15.04.08	dr	JL.CORDIER	97.07.26		FCJ		sheet 1 of 1	
				enpr	J.COMPAGNON	97.07.26				size	
				chr	JL.CORDIER	97.07.26				90309	
				appd	JMC	97.07.26				A3	
sheet index		revision sheet								type	
										CUSTOMER Drawing	